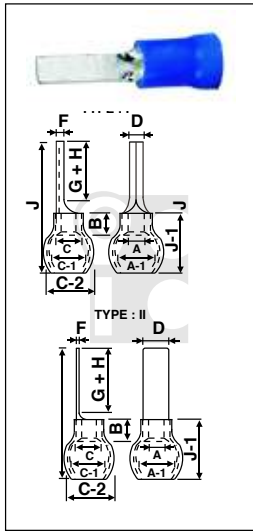
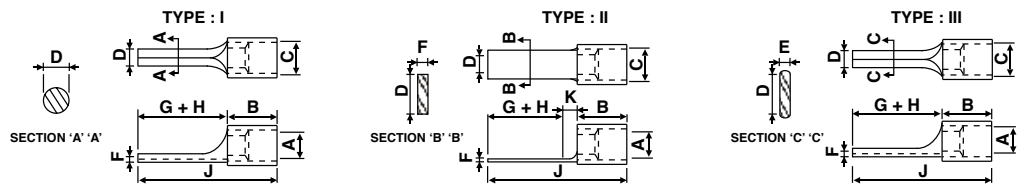




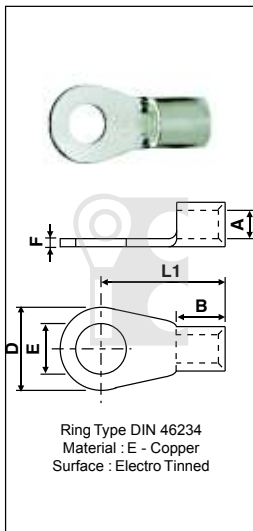
COPPER PIN TYPE TERMINAL ENDS Insulated



CABLE SIZE mm ²	DIMENSIONS mm											CODE
	A	C	D	F	E	B	G + H	J	C - 1	J - 1	TYPE	
1.5	1.6	3.2	1.9	0.75	-	5	12	17	5.8	10	I	EPI-17
1.5	1.6	3.2	3.2	0.75	-	5	12	17	5.8	10	II	EPI-40
2.5	2.3	3.9	1.9	0.75	-	5	12	17	6.5	10	I	EPI-18
2.5	2.3	3.9	3.1	0.75	-	5	12	17	6.5	10	II	EPI-19
4.0	2.9	4.9	2.7	0.95	-	6	14	20	8.0	14	I	EPI-20
4.0	3.6	5.6	5.1	0.95	-	6	14	20	8.0	14	II	EPI-21
6.0	3.6	5.6	2.7	0.95	-	6	14	20	8.0	14	I	EPI-22
6.0	4.0	6.0	2.7	0.95	-	6	14	20	8.0	14	II	EPI-23
10	4.5	6.7	4.3	0.95	2.4	8	14	22	9.0	17	III	EPI-24
16	5.8	8.2	5.5	1.15	2.6	10	17	26	11	20	III	EPI-25



COPPER RING TONGUE SOLDERLESS TERMINALS (DIN 46234)



CABLE SIZE mm ²	NOMINAL SIZE DIN	DIMENSIONS mm						PRODUCT CODE
		A	E	D	L1	B	F	
0.5 - 1	2.5 - 1	1.6	2.8	6	11	5	0.75	EDR-1620/2.5
	3 - 1	1.6	3.2	6	11	5	0.75	EDR-1620/3
	3.5 - 1	1.6	3.7	6	11	5	0.75	EDR-1620/3.5
	4 - 1	1.6	4.3	8	12	5	0.75	EDR-1620/4
	5 - 1	1.6	5.3	10	13	5	0.75	EDR-1620/5
	6 - 1*	1.6	6.5	11	15	5	0.75	EDR-1620/6
	8 - 1*	1.6	8.4	14	17	5	0.75	EDR-1620/8
	10 - 1*	1.6	10.5	18	19	5	0.75	EDR-1620/10
1.5 - 2.5	3 - 2.5	2.3	3.2	6	11	5	0.75	EDR-1630/3
	3.5 - 2.5	2.3	3.7	6	11	5	0.75	EDR-1630/3.5
	4 - 2.5	2.3	4.3	8	12	5	0.75	EDR-1630/4
	5 - 2.5	2.3	5.3	10	14	5	0.75	EDR-1630/5
	6 - 2.5	2.3	6.5	11	16	5	0.75	EDR-1630/6
	8 - 2.5	2.3	8.4	14	17	5	0.75	EDR-1630/8
	10 - 2.5*	2.3	10.5	15	17	5	0.75	EDR-1630/10
	12 - 2.5*	2.3	13	18	19	5	0.75	EDR-1630/12
4 - 6	4 - 6	3.6	4.3	8	14	6	0.95	EDR-1650/4
	5 - 6	3.6	5.3	10	15	6	0.95	EDR-1650/5
	6 - 6	3.6	6.5	11	16	6	0.95	EDR-1650/6
	8 - 6	3.6	8.4	14	19	6	0.95	EDR-1650/8
	10 - 6	3.6	10.5	18	21	6	0.95	EDR-1650/10
	12 - 6*	3.6	13	18	21	6	0.95	EDR-1650/12
10	5 - 10	4.5	5.3	10	16	8	1.15	EDR-1652/5
	6 - 10	4.5	6.5	11	17	8	1.15	EDR-1652/6
	8 - 10	4.5	8.4	14	20	8	1.15	EDR-1652/8
	10 - 10	4.5	10.5	18	21	8	1.15	EDR-1652/10
	12 - 10	4.5	13	22	23	8	1.15	EDR-1652/12

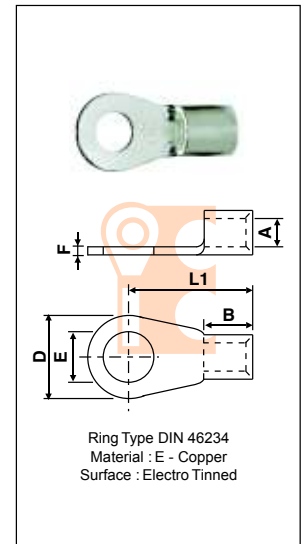
NOTE : * Not standardized

EDR Continued....



COPPER RING TONGUE SOLDERLESS TERMINALS (DIN 46234)

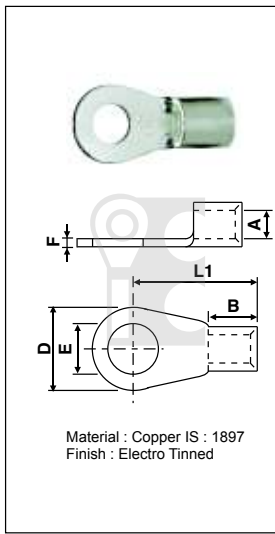
CABLE SIZE mm ²	NOMINAL SIZE DIN	DIMENSIONS mm						PRODUCT CODE
		A	E	D	L1	B	F	
16	5 - 16	5.8	5.3	11	20	10	1.15	EDR-1653/5
	6 - 16	5.8	6.5	11	20	10	1.15	EDR-1653/6
	8 - 16	5.8	8.4	14	22	10	1.15	EDR-1653/8
	10 - 16	5.8	10.5	18	24	10	1.15	EDR-1653/10
	12 - 16	5.8	13	22	26	10	1.15	EDR-1653/12
25	5 - 25	7.5	5.3	12	25	11	1.45	EDR-1654/5
	6 - 25	7.5	6.5	12	25	11	1.45	EDR-1654/6
	8 - 25	7.5	8.4	16	25	11	1.45	EDR-1654/8
	10 - 25	7.5	10.5	18	26	11	1.45	EDR-1654/10
	12 - 25	7.5	13	22	31	11	1.45	EDR-1654/12
	16 - 25	7.5	17	28	35	11	1.45	EDR-1654/16
35	6 - 35	9	6.5	15	26	12	1.55	EDR-1655/6
	8 - 35	9	8.4	16	26	12	1.55	EDR-1655/8
	10 - 35	9	10.5	18	27	12	1.55	EDR-1655/10
	12 - 35	9	13	22	31	12	1.55	EDR-1655/12
	16 - 35	9	17	28	36	12	1.55	EDR-1655/16
50	6 - 50	11	6.5	18	34	16	1.75	EDR-1656/6
	8 - 50	11	8.4	18	34	16	1.75	EDR-1656/8
	10 - 50	11	10.5	18	34	16	1.75	EDR-1656/10
	12 - 50	11	13	22	36	16	1.75	EDR-1656/12
	16 - 50	11	17	28	40	16	1.75	EDR-1656/16
70	6 - 70	13	6.5	22	38	18	1.95	EDR-1657/6
	8 - 70	13	8.4	22	38	18	1.95	EDR-1657/8
	10 - 70	13	10.5	22	38	18	1.95	EDR-1657/10
	12 - 70	13	13	22	38	18	1.95	EDR-1657/12
	16 - 70	13	17	28	42	18	1.95	EDR-1657/16
95	8 - 95	15	8.4	24	42	20	2.5	EDR-1658/8
	10 - 95	15	10.5	24	42	20	2.5	EDR-1658/10
	12 - 95	15	13	24	42	20	2.5	EDR-1658/12
	16 - 95	15	17	28	44	20	2.5	EDR-1658/16
120	8 - 120	17	8.4	24	44	22	2.95	EDR-1659/8
	10 - 120	17	10.5	24	44	22	2.95	EDR-1659/10
	12 - 120	17	13	24	44	22	2.95	EDR-1659/12
	16 - 120	17	17	28	48	22	2.95	EDR-1659/16
150	10 - 150	19	10.5	30	50	24	3.15	EDR-1660/10
	12 - 150	19	13	30	50	24	3.15	EDR-1660/12
	16 - 150	19	17	30	50	24	3.15	EDR-1660/16
185	12 - 185	21	13	36	50	28	3.45	EDR-1661/12
	16 - 185	21	17	36	50	28	3.45	EDR-1661/16
240	12 - 240	23.5	13	38	56	32	3.95	EDR-1662/12
	16 - 240	23.5	17	38	56	32	3.95	EDR-1662/16



NOTE : * Not standardized

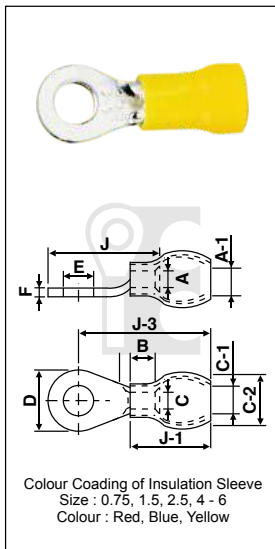


COPPER RING TONGUE TERMINAL ENDS



CABLE SIZE mm ²	STUD HOLE E ∅ mm	DIMENSIONS mm							PRODUCT CODE
		A	C	D	F	B	L - 1	J	
70	12	12.0	16.0	24	1.95	18	36.0	48.0	ER - 141
70	16	12.0	16.0	28	1.95	18	40.0	54.0	ER - 142
95	10	13.5	18.1	22	2.25	20	35.0	46.0	ER - 143
95	10	13.5	18.1	24	2.25	20	38.0	50.0	ER - 144
	12	13.5	18.1	24	2.25	20	38.0	50.0	ER - 044
95	16	13.5	18.1	28	2.25	20	44.0	58.0	ER - 145
120	12	15.0	20.2	26	2.55	22	39.0	52.0	ER - 146
120	16	15.0	20.2	32	2.55	22	48.0	64.0	ER - 147
120	20	15.0	20.2	40	2.55	22	52.0	72.0	ER - 148
150	12	16.5	23.7	34	3.55	24	49.0	66.0	ER - 149
	16	16.5	23.7	34	3.55	24	49.0	66.0	ER - 045
150	16	16.5	23.7	40	3.55	24	54.0	74.0	ER - 150
	20	16.5	23.7	40	3.55	24	54.0	74.0	ER - 046

COPPER RING TONGUE TERMINAL ENDS - Insulated

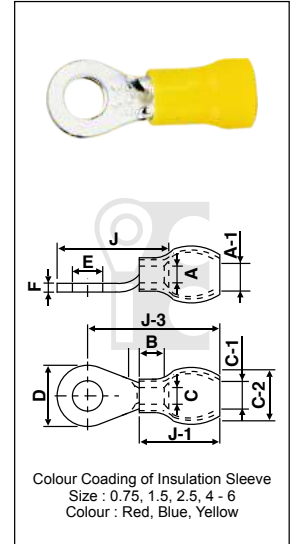


CABLE SIZE mm ²	STUD HOLE E ∅ mm	DIMENSIONS mm									PRODUCT CODE
		A	C	D	F	B	J	J - 1	L - 3	C - 1	
1.5	2.0	1.6	3.2	6.0	0.75	5	14	10	16	5.8	ERI - 052
	3.0	1.6	3.2	6.0	0.75	5	14	10	16	5.8	ERI - 054
	3.5	1.6	3.2	6.0	0.75	5	14	10	16	5.8	ERI - 055
	4.0	1.6	3.2	6.0	0.75	5	14	10	16	5.8	ERI - 056
1.5	3.0	1.6	3.2	6.8	0.75	5	13	10	14.6	5.8	ERI - 057
	3.5	1.6	3.2	6.8	0.75	5	13	10	14.6	5.8	ERI - 058
	4.0	1.6	3.2	6.8	0.75	5	13	10	14.6	5.8	ERI - 059
1.5	3.0	1.6	3.2	8.0	0.75	5	16	10	17	5.8	ERI - 060
	4.0	1.6	3.2	8.0	0.75	5	16	10	17	5.8	ERI - 061
	5.0	1.6	3.2	8.0	0.75	5	16	10	17	5.8	ERI - 062
1.5	4.0	1.6	3.2	7.0	0.75	5	14.5	10	16	5.8	ERI - 063
1.5	4.0	1.6	3.2	10	0.75	5	18	10	18	5.8	ERI - 064
	5.0	1.6	3.2	10	0.75	5	18	10	18	5.8	ERI - 065
	6.0	1.6	3.2	10	0.75	5	18	10	18	5.8	ERI - 066
1.5	6.0	1.6	3.2	12	0.75	5	18	10	17	5.8	ERI - 067
2.5	3.0	2.3	3.9	6.5	0.75	5	12.7	10	14.5	6.5	ERI - 068
	3.5	2.3	3.9	6.5	0.75	5	12.7	10	14.5	6.5	ERI - 069
2.5	3.5	2.3	3.9	8.0	0.75	5	16	10	17	6.5	ERI - 070
	4.0	2.3	3.9	8.0	0.75	5	16	10	17	6.5	ERI - 071
	5.0	2.3	3.9	8.0	0.75	5	16	10	17	6.5	ERI - 072
2.5	5.0	2.3	3.9	10	0.75	5	18	10	18	6.5	ERI - 073
	6.0	2.3	3.9	10	0.75	5	18	10	18	6.5	ERI - 074
2.5	5.0	2.3	3.9	12	0.75	5	22	10	21	6.5	ERI - 075
	6.0	2.3	3.9	12	0.75	5	22	10	21	6.5	ERI - 076
	8.0	2.3	3.9	12	0.75	5	22	10	21	6.5	ERI - 077
2.5	6.0	2.3	3.9	16	0.75	5	25	10	22	6.5	ERI - 078
	8.0	2.3	3.9	16	0.75	5	25	10	22	6.5	ERI - 079
	10	2.3	3.9	16	0.75	5	25	10	22	6.5	ERI - 080
2.5	10	2.3	3.9	18	0.75	5	29	10	25	6.5	ERI - 081
	12	2.3	3.9	18	0.75	5	29	10	25	6.5	ERI - 082
4 - 6	4.0	3.5	5.5	8.0	0.95	6	17	14	21	8.0	ERI - 083
	5.0	3.5	5.5	8.0	0.95	6	17	14	21	8.0	ERI - 084



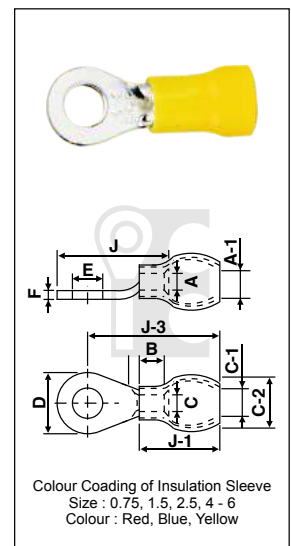
COPPER RING TONGUE TERMINAL ENDS - Insulated

CABLE SIZE mm ²	STUD HOLE E ø mm	DIMENSIONS mm									PRODUCT CODE
		A	C	D	F	B	J	J-1	L-3	C-1	
4-6	4.0	3.5	5.5	10	0.95	6	19	14	22	8.0	ERI-085
	5.0	3.5	5.5	10	0.95	6	19	14	22	8.0	ERI-086
4-6	5.0	3.5	5.5	8.0	0.95	6	22	14	26	8.0	ERI-087
4-6	5.0	3.5	5.5	12	0.95	6	20	14	22	8.0	ERI-088
	6.0	3.5	5.5	12	0.95	6	20	14	22	8.0	ERI-089
	8.0	3.5	5.5	12	0.95	6	20	14	22	8.0	ERI-090
4-6	5.0	3.5	5.5	12	0.95	6	22	14	24	8.0	ERI-091
	6.0	3.5	5.5	12	0.95	6	22	14	24	8.0	ERI-092
4-6	6.0	3.5	5.5	14	0.95	6	25.5	14	26.5	8.0	ERI-093
	8.0	3.5	5.5	14	0.95	6	25.5	14	26.5	8.0	ERI-094
	9.5	3.5	5.5	14	0.95	6	25.5	14	26.5	8.0	ERI-095
4-6	8.0	3.5	5.5	16	0.95	6	30	14	30	8.0	ERI-096
	10	3.5	5.5	16	0.95	6	30	14	30	8.0	ERI-097
4-6	8.0	3.5	5.5	18	0.95	6	30	14	29	8.0	ERI-098
	10	3.5	5.5	18	0.95	6	30	14	29	8.0	ERI-099
	12	3.5	5.5	18	0.95	6	30	14	29	8.0	ERI-100
10	8	4.3	6.3	16	0.95	8	27	16	27	9.0	ERI-101
16	8	5.6	8.0	16	1.15	10	30	20	32	11.0	ERI-102



COPPER RING TONGUE TERMINAL ENDS - Insulated with metal reinforced

CABLE SIZE mm ²	STUD HOLE E ø mm	DIMENSIONS mm											PRODUCT CODE
		A	C	D	F	B	J	J-1	A-1	C-1	C-2	J-3	
1.5	2.0	1.6	3.2	6.0	0.75	5	14	10	3.6	4.8	5.4	16.0	ERR-435
	3.0	1.6	3.2	6.0	0.75	5	14	10	3.6	4.8	5.4	16.0	ERR-437
	3.5	1.6	3.2	6.0	0.75	5	14	10	3.6	4.8	5.4	16.0	ERR-438
	4.0	1.6	3.2	6.0	0.75	5	14	10	3.6	4.8	5.4	16.0	ERR-439
1.5	3.0	1.6	3.2	6.8	0.75	4	13	10	3.6	4.8	5.4	16.0	ERR-440
	3.5	1.6	3.2	6.8	0.75	4	13	10	3.6	4.8	5.4	16.0	ERR-441
	4.0	1.6	3.2	6.8	0.75	4	13	10	3.6	4.8	5.4	16.0	ERR-442
1.5	3.0	1.6	3.2	8.0	0.75	5	16	10	3.6	4.8	5.4	17.0	ERR-443
	4.0	1.6	3.2	8.0	0.75	5	16	10	3.6	4.8	5.4	17.0	ERR-444
	5.0	1.6	3.2	8.0	0.75	5	16	10	3.6	4.8	5.4	17.0	ERR-445
1.5	4.0	1.6	3.2	7.0	0.75	5	14.5	10	3.6	4.8	5.4	16.0	ERR-446
1.5	4.0	1.6	3.2	10	0.75	5	18	10	3.6	4.8	5.4	18.0	ERR-447
	5.0	1.6	3.2	10	0.75	5	18	10	3.6	4.8	5.4	18.0	ERR-448
	6.0	1.6	3.2	10	0.75	5	18	10	3.6	4.8	5.4	18.0	ERR-449
1.5	8.0	1.6	3.2	12	0.75	5	18	10	3.6	4.8	5.4	17.0	ERR-450
2.5	3.0	2.3	3.9	6.5	0.75	5	12.7	10	4.4	5.4	6.0	17.7	ERR-451
	3.5	2.3	3.9	6.5	0.75	5	12.7	10	4.4	5.4	6.0	17.7	ERR-452
2.5	3.5	2.3	3.9	8.0	0.75	5	16	10	4.4	5.4	6.0	17.0	ERR-453
	4.0	2.3	3.9	8.0	0.75	5	16	10	4.4	5.4	6.0	17.0	ERR-454
	5.0	2.3	3.9	8.0	0.75	5	16	10	4.4	5.4	6.0	17.0	ERR-455
2.5	5.0	2.3	3.9	10	0.75	5	18	10	4.4	5.4	6.0	18.0	ERR-456
	6.0	2.3	3.9	10	0.75	5	18	10	4.4	5.4	6.0	18.0	ERR-457
2.5	5.0	2.3	3.9	12	0.75	5	22	10	4.4	5.4	6.0	21.0	ERR-458
	6.0	2.3	3.9	12	0.75	5	22	10	4.4	5.4	6.0	21.0	ERR-459
	8.0	2.3	3.9	12	0.75	5	22	10	4.4	5.4	6.0	21.0	ERR-460



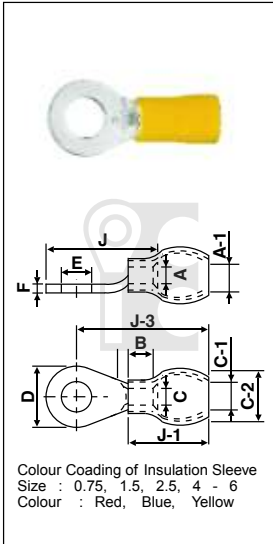
ERR Continued...



ELECTRO CRIMP CONTACTS (I) PVT. LTD

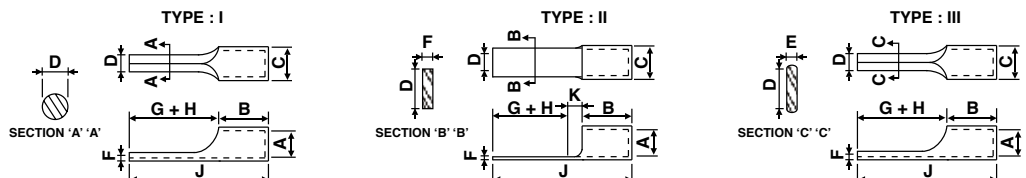
COPPER RING TONGUE TERMINAL ENDS - Insulated with metal reinforced

CABLE SIZE mm ²	STUD HOLE E mm	DIMENSIONS mm											PRODUCT CODE
		A	C	D	F	B	J	J-1	A-1	C-1	C-2	J-3	
2.5	6.0	2.3	3.9	16	0.75	5	25	10	4.4	5.4	6.0	22.0	ERR-461
	8.0	2.3	3.9	16	0.75	5	25	10	4.4	5.4	6.0	22.0	ERR-462
	10	2.3	3.9	16	0.75	5	25	10	4.4	5.4	6.0	22.0	ERR-463
2.5	10	2.3	3.9	18	0.75	5	29	10	4.4	5.4	6.0	25.0	ERR-464
	12	2.3	3.9	18	0.75	5	29	10	4.4	5.4	6.0	25.0	ERR-465
4-6	4.0	3.5	5.5	8.0	0.95	6	17	15	6.4	7.1	8.6	22.0	ERR-466
	5.0	3.5	5.5	8.0	0.95	6	17	15	6.4	7.1	8.6	22.0	ERR-467
	4.0	3.5	5.5	10	0.95	6	19	15	6.4	7.1	8.6	23.0	ERR-468
4-6	5.0	3.5	5.5	10	0.95	6	19	15	6.4	7.1	8.6	23.0	ERR-469
	5.0	3.5	5.5	8.0	0.95	6	22.8	15	6.4	7.1	8.6	31.8	ERR-470
4-6	5.0	3.5	5.5	12	0.95	6	22	15	6.4	7.1	8.6	23.0	ERR-471
	6.0	3.5	5.5	12	0.95	6	22	15	6.4	7.1	8.6	23.0	ERR-472
4-6	8.0	3.5	5.5	12	0.95	6	22	15	6.4	7.1	8.6	23.0	ERR-473
	5.0	3.5	5.5	12	0.95	6	22	15	6.4	7.1	8.6	25.0	ERR-474
4-6	6.0	3.5	5.5	12	0.95	6	22	15	6.4	7.1	8.6	25.0	ERR-475
	6.0	3.5	5.5	14	0.95	6	25.5	15	6.4	7.1	8.6	27.5	ERR-476
4-6	8.0	3.5	5.5	14	0.95	6	25.5	15	6.4	7.1	8.6	27.5	ERR-477
	9.5	3.5	5.5	14	0.95	6	25.5	15	6.4	7.1	8.6	27.5	ERR-478
4-6	8.0	3.5	5.5	16	0.95	6	30	15	6.4	7.1	8.6	31.0	ERR-479
	10	3.5	5.5	16	0.95	6	30	15	6.4	7.1	8.6	31.0	ERR-480
4-6	8.0	3.5	5.5	18	0.95	6	30	15	6.4	7.1	8.6	30.0	ERR-481
	10	3.5	5.5	18	0.95	6	30	15	6.4	7.1	8.6	30.0	ERR-482
4-6	12	3.5	5.5	18	0.95	6	30	15	6.4	7.1	8.6	30.0	ERR-483



COPPER PIN TYPE TERMINAL ENDS suitable for contactors, switches & terminal blocks

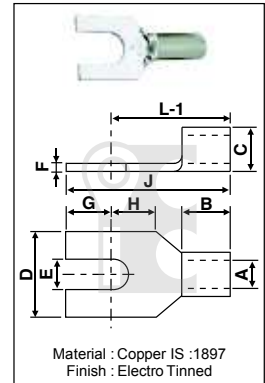
CABLE SIZE mm ²	STUD HOLE E mm	DIMENSIONS mm								TYPE	PRODUCT CODE
		C	D	E	F	B	G+H	J			
1.0	1.1	2.6	1.9	-	0.75	5.0	12	17	I	EP-26	
1.5	1.6	3.2	1.9	-	0.75	5.0	12	17	I	EP-9	
1.5	1.6	3.2	3.2	-	0.75	5.0	12	17	II	EP-35	
2.5	2.3	3.9	1.9	-	0.75	5.0	12	17	I	EP-1	
2.5	2.3	3.9	3.1	-	0.75	5.0	14	17	II	EP-2	
4.0	2.9	4.9	2.7	-	0.95	6.0	14	20	I	EP-3	
4.0	3.6	5.6	5.1	-	0.95	6.0	14	20	II	EP-4	
6.0	3.6	5.6	2.7	-	0.95	6.0	14	20	I	EP-5	
6.0	4.0	6.0	2.7	-	0.95	6.0	14	20	II	EP-6	
10	4.5	6.7	4.3	2.4	0.95	8.0	14	22	III	EP-7	
16	5.8	8.2	5.5	2.6	1.15	10	17	26	III	EP-8	
25	7.5	11.1	7.2	1.75	3.8	11	22	33	III	EP-125	
35	9.0	12.6	8.2	1.75	3.8	12	21	33	III	EP-135	
50	10.5	14.1	9.0	1.75	3.8	16	25	41	III	EP-150	
70	12	16	10.0	1.95	4.1	16	30	46	III	EP-170	





COPPER FORK TERMINAL ENDS

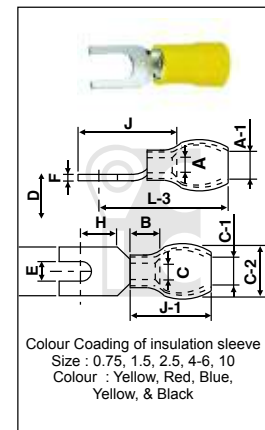
CABLE SIZE mm ²	STUD HOLE E ø mm	DIMENSIONS mm								PRODUCT CODE
		A	C	D	F	B	H	L - 1	J	
1.5	5.1	1.6	3.2	8.0	0.75	5.0	10	17.0	21	EF-214
1.5	3.5	1.6	3.2	6.8	0.75	5.0	4.8	12.0	15	EF-249
1.5	3.0	2.0	2.8	6.2	0.75	5.0	3.1	10.5	13	EF-250
2.5	3.5	2.3	3.9	6.5	0.75	5.0	4.3	11.8	15	EF-251
2.5	5.0	2.6	4.6	10.6	0.95	6.2	6.2	12.4	21	EF-280
4 - 6	3.1	3.5	5.5	6.0	0.95	6.0	5.5	11.5	15	EF-252
4 - 6	3.5	3.5	5.5	6.0	0.95	6.0	5.0	11.0	15	EF-253
10	6.5	4.5	6.9	16	1.15	8.0	11	19.0	27	EF-254
10	8.2	4.5	6.9	16	1.15	8.0	11	19.0	27	EF-255



COPPER FORK TERMINAL ENDS

Insulated

CABLE SIZE mm ²	STUD HOLE E ø mm	DIMENSIONS mm										PRODUCT CODE
		A	C	D	F	B	H	J	C - 1	J - 1	L - 3	
1.5	5.1	1.6	3.2	8	0.75	5.0	10	21	5.8	10	27	EFI-925
1.5	3.5	1.6	3.2	6.8	0.75	5.0	4.8	15	5.8	10	16.5	EFI-926
1.5	3.0	2.0	2.8	6.2	0.75	5.0	3.1	13	5.8	10	20.5	EFI-927
2.5	3.5	2.3	3.9	6.5	0.75	5.0	4.3	15	6.5	10	21.8	EFI-928
2.5	5.0	2.6	4.6	10.6	0.95	6.2	6.2	21	6.5	10	20	EFI-929
4 - 6	3.1	3.5	5.5	6.0	0.95	6.0	5.5	15	8.0	14	27.5	EFI-930
4 - 6	3.5	3.5	5.5	6.0	0.95	6.0	5.0	15	8.0	14	27	EFI-931
10	6.5	4.5	6.9	16	1.15	8.0	11	27	9.0	16	35	EFI-932
10	8.2	4.5	6.9	16	1.15	8.0	11	27	9.0	16	35	EFI-933



COPPER FORK TERMINAL ENDS

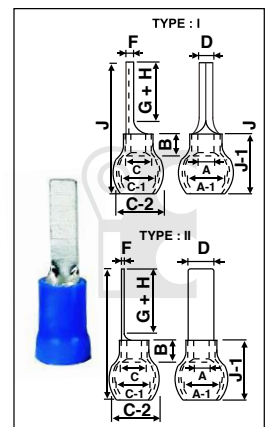
Insulated with metal reinforced

CABLE SIZE mm ²	STUD HOLE E ø mm	DIMENSIONS mm											PRODUCT CODE	
		A	C	D	F	B	H	J	J - 1	A - 1	C - 1	C - 2		L - 3
1.5	5.1	1.6	3.2	8.0	0.75	5.0	10	21	10	3.6	4.8	5.4	22.0	EFR-934
1.5	3.5	1.6	3.2	6.8	0.75	4.0	4.8	15	10	3.6	4.8	5.4	16.5	EFR-935
1.5	3.0	2.0	2.8	6.2	0.75	5.0	3.1	13	10	3.6	4.8	5.4	15.5	EFR-936
2.5	3.5	2.3	3.9	6.5	0.75	5.0	4.3	15	10	4.4	5.4	6.0	16.8	EFR-937
2.5	5.0	2.6	4.6	10.6	0.95	6.2	6.2	21	10	4.4	5.4	6.0	16.2	EFR-938
4 - 6	3.1	3.5	5.5	6.0	0.95	6.0	5.5	15	15	6.4	7.1	8.6	20.5	EFR-939
4 - 6	3.5	3.5	5.5	6.0	0.95	6.0	5.0	15	15	6.4	7.1	8.6	20.0	EFR-940
10	6.5	4.5	6.9	16	1.15	8.0	11	27	17	6.8	8.3	9.5	28.0	EFR-941
10	8.2	4.5	6.9	16	1.15	8.0	11	27	17	6.8	8.3	9.5	28.0	EFR-942

COPPER PIN TYPE TERMINAL ENDS Insulated with metal reinforced

Colour Coding of insulation sleeve Size : 0.75, 1.5, 2.5, 4 - 6 Colour : Yellow, Red, Blue, Yellow

CABLE SIZE mm ²	DIMENSIONS mm												PRODUCT CODE
	A	C	D	F	B	G + H	J	J - 1	A - 1	C - 1	C - 2	TYPE	
1.5	1.6	3.2	1.9	0.75	5	12	17	10	3.6	4.8	5.4	I	EPR-26
2.5	2.3	3.9	1.9	0.75	5	12	17	10	4.4	5.4	6.0	I	EPR-27
2.5	2.3	3.9	3.1	0.75	5	12	17	10	4.4	5.4	6.0	II	EPR-28
4.0	2.9	4.9	2.7	0.95	6	14	20	15	6.4	7.2	8.6	I	EPR-29
4.0	3.6	5.6	5.1	0.95	6	14	20	15	6.4	7.2	8.6	II	EPR-30
6.0	3.6	5.6	2.7	0.95	6	14	20	15	6.4	7.2	8.6	I	EPR-31
6.0	4.0	6.0	2.7	0.95	6	14	20	15	6.4	7.2	8.6	II	EPR-32

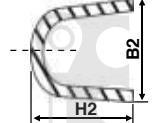
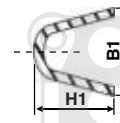
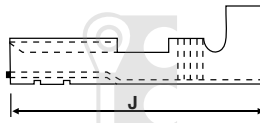
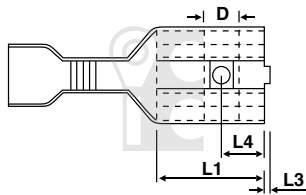




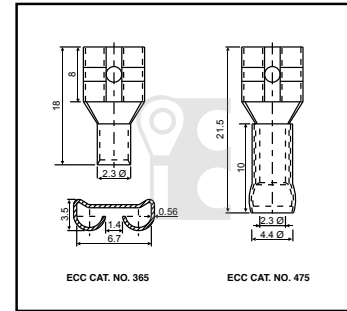
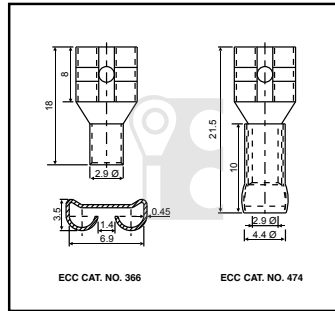
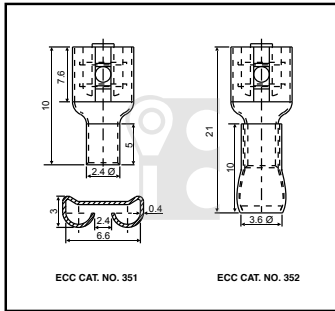
SNAP FEMALE



AREA Sq.mm	DIMENSIONS mm							PRODUCT CODE
	D	B - 3	L - 1	L - 2	L - 3	L - 4	J	
2.8 X 0.5	1.2	3.8	6.6 / 6.0	2.3	0.5	5.7	20	8696 / A
2.8 X 0.8	1.2	3.8	6.6 / 6.0	2.3	0.5	5.7	20	8696
4.8 X 0.5	1.4	6.0	6.6 / 6.0	2.9	0.5	4.5	20	8842 / A
4.8 X 0.8	1.4	6.0	6.6 / 6.0	2.9	0.5	4.5	20	8842
5.2 X 0.5	1.6	6.5	6.6 / 6.0	2.9	0.5	4.5	20	8843 / A
5.2 X 0.8	1.6	6.5	6.6 / 6.0	2.9	0.5	4.5	20	8843
6.3 X 0.8	1.6	7.8	8.1 / 7.5	3.5	0.5	4.5	20	8841

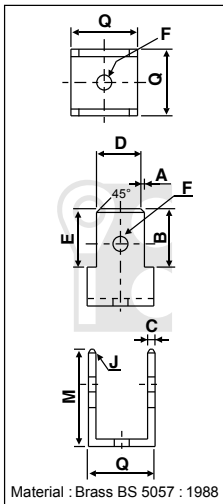


Material : As per Brass BS 5057 : 1988

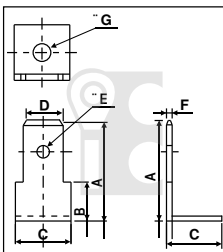


BRASS MALE TABS

AREA Sq.mm	DIMENSIONS mm						PRODUCT CODE
	B	D	E	F	M	Q	
2.8 X 0.5	7.0	2.9	1.8	1.3	-	8.1	ECUT - 1
		2.7	1.3	1.1			
2.8 X 0.8	7.0	2.9	1.8	1.3	-	8.1	ECUT - 2
		2.7	1.3	1.1			
4.8 X 0.5	6.2	4.8	3.4	1.5	-	7.3	ECUT - 3
		4.6	3.0	1.3			
4.8 X 0.8	6.2	4.8	3.4	1.5	-	7.3	ECUT - 4
		4.6	3.0	1.3			
5.2 X 0.5	6.2	5.3	3.4	1.9	-	7.3	ECUT - 5
		5.1	3.0	1.6			
5.2 X 0.8	6.2	5.3	3.4	1.9	-	7.3	ECUT - 6
		5.1	3.0	1.6			
6.3 X 0.8	7.8	6.4	4.7	2.0	13	8.9	ECUT - 7
		6.2	4.3	1.6			



Material : Brass BS 5057 : 1988



BRASS TABS

DIMENSIONS mm							PRODUCT CODE
A	B	C	D	E	F	G	
18	10	8	6.4	2.3	0.8	2.5	B - 1