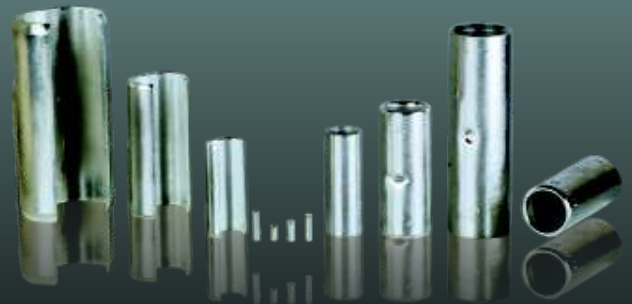




ELECTRO CRIMP CONTACTS (I) PVT. LTD.

www.eccipl.com 

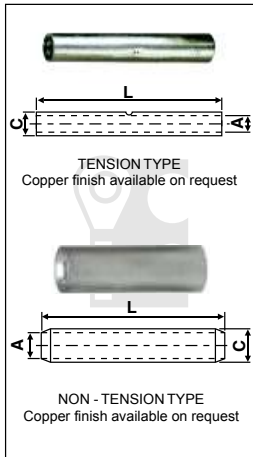
**Copper
Connectors/
Ferrules**





COPPER CONNECTORS for high voltage copper cables

TENSION TYPE



CABLE SIZE mm ²	DIMENSIONS mm			PRODUCT CODE
	A	C	L	
6	3.8	5.5	65	ELCT-6
10	4.5	6.2	80	ELCT-10
16	5.4	7.1	95	ELCT-16
25	7	9	95	ELCT-25
35	8.2	10.6	95	ELCT-35
50	10	12.4	110	ELCT-50
70	11.5	14.7	110	ELCT-70
95	13.5	17.4	145	ELCT-95
120	15.5	19.4	160	ELCT-120
150	16.5	21.2	180	ELCT-150
185	19	23.5	260	ELCT-185
240	21	26.5	310	ELCT-240
300	24.5	30.0	360	ELCT-300

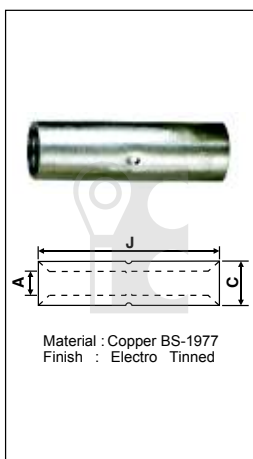
NON - TENSION TYPE

CABLE SIZE mm ²	DIMENSIONS mm			PRODUCT CODE
	A	C	L	
25	7	9	60	ELCNT-25
35	8.2	10.6	60	ELCNT-35
50	10	12.4	65	ELCNT-50
70	11.5	14.7	65	ELCNT-70
95	13.5	17.4	90	ELCNT-95
120	15.5	19.4	90	ELCNT-120
150	16.5	21.2	105	ELCNT-150
185	19	23.5	105	ELCNT-185
240	22	26.5	125	ELCNT-240
300	23.5	30.0	125	ELCNT-300
400	28.5	36.5	160	ELCNT-400

COPPER TUBULAR IN-LINE CONNECTORS

for crimping to aluminium conductor or Copper to Aluminium Conductor

HEAVY DUTY



CABLE SIZE mm ²	DIMENSIONS mm			PRODUCT CODE
	A	C	J	
1.5	1.8	3.7	12	ELH-1.5
2.5	2.4	4.0	15	ELH-2.5
4	3.1	4.8	15	ELH-4
6	3.8	5.5	15	ELH-6
10	4.5	6.2	20	ELH-10
16	5.4	7.1	20	ELH-16
25	6.8	8.8	32	ELH-25
35	8.2	10.6	36	ELH-35
50	9.5	12.4	40	ELH-50
70	11.2	14.7	50	ELH-70
95	13.5	17.4	60	ELH-95
120	15.0	19.4	65	ELH-120
150	16.5	21.2	70	ELH-150
185	18.5	23.5	75	ELH-185
240	21.0	26.5	90	ELH-240
300	23.5	30.0	100	ELH-300
400	28.5	36.5	120	ELH-400
500	30.0	39.0	130	ELH-500
630	35.0	45.0	140	ELH-630
800	39.0	50.6	150	ELH-800
1000	43.0	56.2	170	ELH-1000

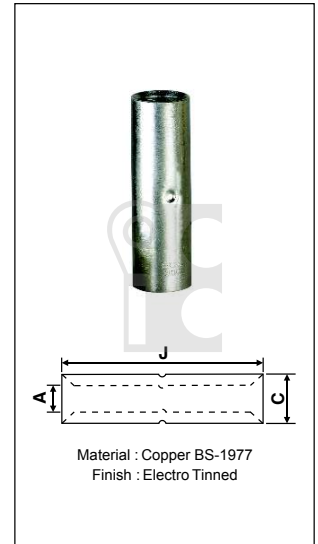
LIGHT DUTY

CABLE SIZE mm ²	DIMENSIONS mm			PRODUCT CODE
	A	C	J	
1.5	1.8	3.2	15	ELL-1.5
2.5	2.4	4	15	ELL-2.5
4	3.1	4.8	15	ELL-4
6	3.8	5.5	15	ELL-6
10	4.5	6.2	20	ELL-10
16	5.4	7.1	20	ELL-16
25	7.0	9	25	ELL-25
35	8.2	10.0	30	ELL-35
50	9.5	11.2	35	ELL-50
70	11.5	13.8	40	ELL-70
95	13.0	15.6	45	ELL-95
120	15.0	17.8	50	ELL-120
150	16.5	19.6	55	ELL-150
185	18.5	22.0	60	ELL-185
240	22.0	26.0	65	ELL-240
300	24.5	28.7	75	ELL-300
400	28.5	33.2	90	ELL-400
500	30.0	36.0	95	ELL-500
630	35.0	41.5	105	ELL-630
800	39.0	46.3	120	ELL-800
1000	43.0	53.8	150	ELL-1000



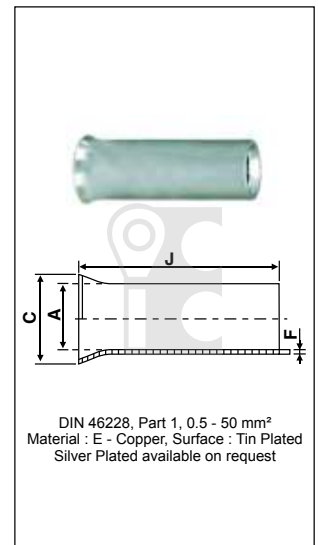
COPPER CONNECTORS LONG BARREL

CABLE SIZE mm ²	DIMENSIONS mm			PRODUCT CODE
	A	C	J	
1.5	1.8	3.2	23.0	ECLB-1.5
2.5	2.4	4.0	23.0	ECLB-2.5
4	3.1	4.8	23.0	ECLB-4
6	3.8	5.5	23.0	ECLB-6
10	4.5	6.2	30.0	ECLB-10
16	5.4	7.1	30.0	ECLB-16
25	7.0	9.0	38.0	ECLB-25
35	8.2	10.0	45.0	ECLB-35
50	9.5	11.2	53.0	ECLB-50
70	11.6	13.8	60.0	ECLB-70
95	13.0	15.6	68.0	ECLB-95
120	15.0	17.8	75.0	ECLB-120
150	16.5	19.6	83.0	ECLB-150
185	18.5	22.0	90.0	ECLB-185
240	22.0	26.0	98.0	ECLB-240
300	24.5	28.7	113.0	ECLB-300
400	28.5	33.2	135.0	ECLB-400
500	30.0	36.0	143.0	ECLB-500
630	35.0	41.5	158.0	ECLB-630
800	39.0	46.3	180.0	ECLB-800
1000	43.0	53.8	225.0	ECLB-1000



CABLE END - SLEEVES (DIN 46228)

CABLE SIZE mm ²	DIMENSIONS mm				PRODUCT CODE TIN PLATED
	A	C	J	F	
0.25	0.75	1.7	5	0.15	EDCE-0.25/5
	0.75	1.7	7	0.15	EDCE-0.25/7
0.34	0.85	1.8	5	0.15	EDCE-0.34/5
	0.85	1.8	7	0.15	EDCE-0.34/7
0.5	1	2.1	6	0.15	EDCE-0.5/6
	1	2.1	8	0.15	EDCE-0.5/8
	1	2.1	10	0.15	EDCE-0.5/10
0.75	1.2	2.3	6	0.15	EDCE-0.75/6
	1.2	2.3	8	0.15	EDCE-0.75/8
	1.2	2.3	10	0.15	EDCE-0.75/10
	1.2	2.3	12	0.15	EDCE-0.75/12
	1.2	2.3	15	0.15	EDCE-0.75/15
1	1.4	2.5	6	0.15	EDCE-1.0/6
	1.4	2.5	8	0.15	EDCE-1.0/8
	1.4	2.5	10	0.15	EDCE-1.0/10
	1.4	2.5	12	0.15	EDCE-1.0/12
	1.4	2.5	15	0.15	EDCE-1.0/15
1.5	1.7	2.8	6	0.15	EDCE-1.5/6
	1.7	2.8	7	0.15	EDCE-1.5/7
	1.7	2.8	8	0.15	EDCE-1.5/8
	1.7	2.8	10	0.15	EDCE-1.5/10
	1.7	2.8	12	0.15	EDCE-1.5/12
	1.7	2.8	15	0.15	EDCE-1.5/15

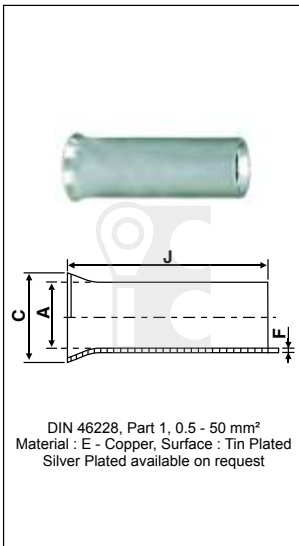


EDCE Continued...



CABLE END - SLEEVES (DIN 46228)

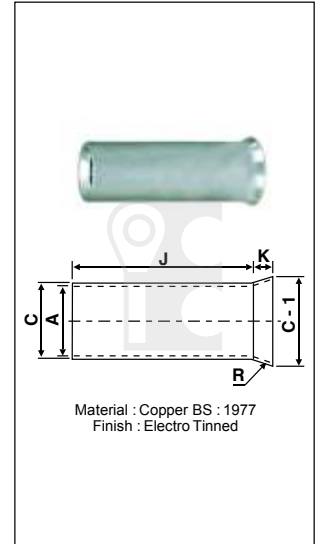
CABLE SIZE mm ²	DIMENSIONS mm				PRODUCT CODE TIN PLATED
	A	C	J	F	
1.5	1.7	2.8	18	0.15	EDCE-1.5/18
	1.7	2.8	20	0.15	EDCE-1.5/20
2.5	2.2	3.4	7	0.15	EDCE-2.5/7
	2.2	3.4	8	0.15	EDCE-2.5/8
	2.2	3.4	10	0.15	EDCE-2.5/10
	2.2	3.4	12	0.15	EDCE-2.5/12
	2.2	3.4	15	0.15	EDCE-2.5/15
	2.2	3.4	18	0.15	EDCE-2.5/18
	2.2	3.4	20	0.15	EDCE-2.5/20
4	2.8	4	8	0.2	EDCE-4/8
	2.8	4	9	0.2	EDCE-4/9
	2.8	4	10	0.2	EDCE-4/10
	2.8	4	12	0.2	EDCE-4/12
	2.8	4	15	0.2	EDCE-4/15
	2.8	4	18	0.2	EDCE-4/18
	2.8	4	20	0.2	EDCE-4/20
6	3.5	4.7	10	0.2	EDCE-6/10
	3.5	4.7	12	0.2	EDCE-6/12
	3.5	4.7	15	0.2	EDCE-6/15
	3.5	4.7	18	0.2	EDCE-6/18
	3.5	4.7	20	0.2	EDCE-6/20
	3.5	4.7	25	0.2	EDCE-6/25
10	4.5	5.8	10	0.2	EDCE-10/10
	4.5	5.8	12	0.2	EDCE-10/12
	4.5	5.8	15	0.2	EDCE-10/15
	4.5	5.8	18	0.2	EDCE-10/18
	4.5	5.8	20	0.2	EDCE-10/20
	4.5	5.8	25	0.2	EDCE-10/25
16	5.8	7.5	12	0.2	EDCE-16/12
	5.8	7.5	15	0.2	EDCE-16/15
	5.8	7.5	18	0.2	EDCE-16/18
	5.8	7.5	20	0.2	EDCE-16/20
	5.8	7.5	25	0.2	EDCE-16/25
	5.8	7.5	32	0.2	EDCE-16/32
25	7.3	9.5	12	0.3	EDCE-25/12
	7.3	9.5	15	0.3	EDCE-25/15
	7.3	9.5	18	0.3	EDCE-25/18
	7.3	9.5	20	0.3	EDCE-25/20
	7.3	9.5	25	0.3	EDCE-25/25
	7.3	9.5	28	0.3	EDCE-25/28
	7.3	9.5	32	0.3	EDCE-25/32
35	8.3	11	12	0.3	EDCE-35/12
	8.3	11	15	0.3	EDCE-35/15
	8.3	11	18	0.3	EDCE-35/18
	8.3	11	20	0.3	EDCE-35/20
	8.3	11	22	0.3	EDCE-35/22
	8.3	11	25	0.3	EDCE-35/25
	8.3	11	30	0.3	EDCE-35/30
	8.3	11	32	0.3	EDCE-35/32





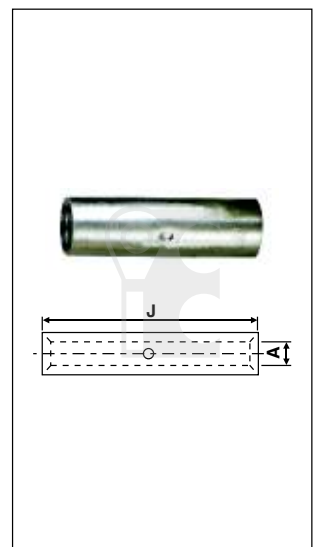
COPPER TUBULAR END SEALING FERRULES

CABLE SIZE mm ²	DIMENSIONS mm						PRODUCT CODE
	A	C	C1 ⁺⁰ _{-0.2}	K (Max)	R (Min)	J ⁺⁰ _{-0.4}	
0.5	1.0 - 1.1	1.4 - 1.5	2.1	0.7	0.8	6	ESF-0.5/6
0.75	1.4 - 1.5	1.8 - 1.9	2.3	0.7	0.8	6	ESF-0.75/6
1.0	1.6 - 1.7	2.0 - 2.1	2.5	0.7	0.8	6	ESF-1.0/6
	1.6 - 1.7	2.0 - 2.1	2.5	0.7	0.8	10	ESF-1.0/10
1.5	1.8 - 1.9	2.2 - 2.3	2.8	1.0	1.2	7	ESF-1.5/7
	1.8 - 1.9	2.2 - 2.3	2.8	1.0	1.2	10	ESF-1.5/10
2.5	2.3 - 2.4	2.7 - 2.8	3.4	1.0	1.2	7	ESF-2.5/7
	2.3 - 2.4	2.7 - 2.8	3.4	1.0	1.2	12	ESF-2.5/12
4.0	2.8 - 2.9	3.2 - 3.3	4.0	1.0	1.2	9	ESF-4.0/9
	2.8 - 2.9	3.2 - 3.3	4.0	1.0	1.2	12	ESF-4.0/12
6	3.7 - 3.8	4.1 - 4.2	4.7	1.0	1.2	10	ESF-6/10
	3.7 - 3.8	4.1 - 4.2	4.7	1.0	1.2	12	ESF-6/12
	3.7 - 3.8	4.1 - 4.2	4.7	1.0	1.2	15	ESF-6/15
10	4.6 - 4.7	5.0 - 5.1	5.8	1.2	1.2	12	ESF-10/12
	4.6 - 4.7	5.0 - 5.1	5.8	1.2	1.2	15	ESF-10/15
	4.6 - 4.7	5.0 - 5.1	5.8	1.2	1.2	18	ESF-10/18
16	5.9 - 6.0	6.3 - 6.4	7.5	1.5	1.6	12	ESF-16/12
	5.9 - 6.0	6.3 - 6.4	7.5	1.5	1.6	15	ESF-16/15
	5.9 - 6.0	6.3 - 6.4	7.5	1.5	1.6	18	ESF-16/18



COPPER TUBULAR INLINE CONNECTOR WITH CABLE STOPER (DIN 46267)

CABLE SIZE mm ² rm/sm	DIMENSIONS mm			PRODUCT CODE
	A	C	J	
6	3.8	5.5	30	EDC-6
10	4.5	6.0	30	EDC-10
16	5.5	8.5	50	EDC-16
25	7.0	10.0	50	EDC-25
35	8.2	12.5	50	EDC-35
50	10.0	14.5	56	EDC-50
70	11.5	16.5	56	EDC-70
95	13.5	19.0	70	EDC-95
120	15.5	21.0	70	EDC-120
150	17.0	23.5	80	EDC-150
185	19.0	25.5	85	EDC-185
240	21.5	29.0	90	EDC-240
300	24.5	32.0	100	EDC-300
400	27.5	38.5	150	EDC-400
500	31.0	42.0	160	EDC-500
625	34.5	44.0	160	EDC-625
800	40.0	52.0	200	EDC-800
1000	44.0	58.0	200	EDC-1000

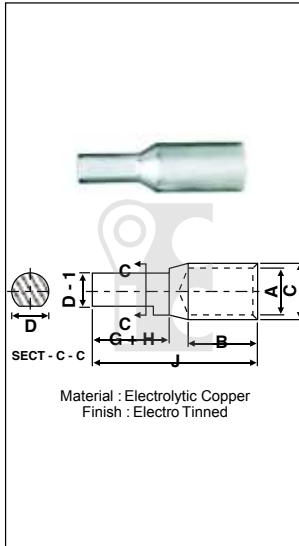


NOTE : * Not standardized
 ** rm = round stranded, sm = sector stranded, se = sector solid



COPPER REDUCER TYPE TERMINAL END

(Suitable for Fuse units & ICTP Switches / Meters / MCBs)



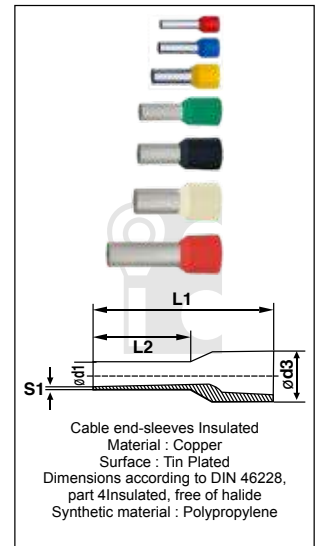
CABLE SIZE mm ²	DIMENSIONS mm							PRODUCT CODE
	A	C	D	D -1	B	G + H	J	
1.5	1.8	4.7	4.7	2.7	8	17	23	ECRK-1.5
2.5	2.5	4.7	3.8	3.3	6	10	20	ECR-2.5
4	2.8	4.7	3.8	2.7	8	17	23	ECRK-4
6	3.1	4.7	3.8	2.7	8	17	23	ECRK-6
10	4.4	6.2	4.5	4.0	9	10	23	ECR-10
	4.4	6.2	3.8	3.3	9	10	23	ECR-10
	4.4	6.2	5.0	4.5	11	17	30	ECRK-10
16	5.3	7.1	6.0	5.5	12	20	37	ECR-16
	5.3	7.1	3.8	3.3	12	13	30	ECR-16
25	7.0	9.0	5.5	5.0	12	15	32	ECR-25
35	8.0	10.0	6.0	5.5	12	20	37	ECR-35
50	9.2	11.2	7.2	6.2	16	20	41	ECR-50
70	11.5	13.8	7.5	6.5	18	20	43	ECR-70
	11.5	13.8	10.5	9.5	18	32	55	ECR-70
95	12.8	15.6	7.5	6.5	20	22	48	ECR-95
	12.8	15.6	11.8	10.8	20	32	58	ECR-95
120	14.8	17.8	7.5	6.5	22	22	50	ECR-120
	14.8	17.8	11.7	10.5	22	32	60	ECR-120
150	16.0	19.6	11.5	10.5	26	32	64	ECR-150
185	18.0	22.0	11.5	10.5	32	32	70	ECR-185
240	22.0	26.0	15.6	14.0	38	32	78	ECR-240
300	24.0	28.7	15.6	14.0	42	32	82	ECR-300
400	27.0	33.2	15.6	14.0	46	32	90	ECR-400



COPPER INSULATED CABLE END-SLEEVES TO (DIN 46228)

For fine and superfine standard conductors Colour-Coding and tube dimensions to DIN-46228, Part IV

Nominal Cross Section mm ²	Colour	DIMENSIONS mm					PRODUCT CODE
		d1	d3	L1	L2	S1	
0.5	White	1.0	3.1	12	6	0.15	ESFI-508/A-12
		1.0	3.1	14	8	0.15	ESFI-508/A-14
		1.0	3.1	16	10	0.15	ESFI-508/A-16
		1.0	3.1	12	6	0.15	ESFI-508/C-12
		1.0	3.1	14	8	0.15	ESFI-508/C-14
		1.0	3.1	14	8	0.15	ESFI-508/C-14*
		1.0	3.1	16	10	0.15	ESFI-508/C-16
0.75	Grey	1.2	3.3	12	6	0.15	ESFI-509/A-12
		1.2	3.3	14	8	0.15	ESFI-509/A-14
		1.2	3.3	16	10	0.15	ESFI-509/A-16
		1.2	3.3	18	12	0.15	ESFI-509/A-18
2.5	Grey	2.2	4.7	14	8	0.15	ESFI-514/C-14
		2.2	4.7	18	12	0.15	ESFI-514/C-18
		2.2	4.7	24	18	0.15	ESFI-514/C-24
4	Grey	2.8	5.4	17	10	0.20	ESFI-516/A-17
		2.8	5.4	20	12	0.20	ESFI-516/A-20
		2.8	5.4	26	18	0.20	ESFI-516/A-26
1	Red	1.4	3.5	12	6	0.15	ESFI-510/A-12
		1.4	3.5	14	8	0.15	ESFI-510/A-14
		1.4	3.5	16	10	0.15	ESFI-510/A-16
		1.4	3.5	18	12	0.15	ESFI-510/A-18
1.5	Red	1.7	4.0	12	6	0.15	ESFI-512/C-12
		1.7	4.0	14	8	0.15	ESFI-512/C-14
		1.7	4.0	16	10	0.15	ESFI-512/C-16
		1.7	4.0	18	12	0.15	ESFI-512/C-18
		1.7	4.0	24	18	0.15	ESFI-512/C-24
10	Red	4.5	8.4	22	12	0.20	ESFI-521/A-22
		4.5	8.4	28	18	0.20	ESFI-521/A-28
95	Red	14.7	19.2	44	25	0.40	ESFI-529/A-44
35	Red	8.3	13.5	30	16	0.20	ESFI-526/A-30
		8.3	13.5	32	18	0.20	ESFI-526/A-32
		8.3	13.5	39	25	0.20	ESFI-526/A-39
1.5	Black	1.7	4.0	12	6	0.15	ESFI-512/A-12
		1.7	4.0	14	8	0.15	ESFI-512/A-14
		1.7	4.0	16	10	0.15	ESFI-512/A-16
		1.7	4.0	18	12	0.15	ESFI-512/A-18
		1.7	4.0	24	18	0.15	ESFI-512/A-24
25	Black	7.3	12.0	30	16	0.20	ESFI-525/C-30
		7.3	12.0	32	18	0.20	ESFI-525/C-32
		7.3	12.0	36	22	0.20	ESFI-525/C-36
2.5	Blue	2.2	4.7	14	8	0.15	ESFI-514/A-14
		2.2	4.7	18	12	0.15	ESFI-514/A-18
		2.2	4.7	24	18	0.20	ESFI-514/A-24



ESFI Continued....



COPPER INSULATED CABLE END-SLEEVES TO (DIN 46228)

For fine and superfine standard conductors Colour-Coding and tube dimensions to DIN-46228, Part IV

Nominal Cross Section mm ²	Colour	DIMENSIONS mm					PRODUCT CODE
		d1	d3	L1	L2	S1	
0.75	Blue	1.2	3.3	12	6	0.15	ESFI-509/C-12
		1.2	3.3	14	6	0.15	ESFI-509/C-14
		1.2	3.3	16	10	0.15	ESFI-509/C-16
		1.2	3.3	18	12	0.15	ESFI-509/C-18
16	Blue	5.8	9.6	24	12	0.20	ESFI-524/A-24
		5.8	9.6	28	18	0.20	ESFI-524/A-28
50	Blue	10.3	16.0	36	20	0.30	ESFI-527/A-36
		10.3	16.0	40	25	0.30	ESFI-527/A-40
120	Blue	16.7	21.4	48	27	0.45	ESFI-530/A-48
1	Yellow	1.4	3.5	12	6	0.15	ESFI-510/C-12
		1.4	3.5	14	8	0.15	ESFI-510/C-14
		1.4	3.5	16	10	0.15	ESFI-510/C-16
		1.4	3.5	18	12	0.15	ESFI-510/C-18
6	Yellow	3.5	6.9	20	12	0.20	ESFI-518/A-20
		3.5	6.9	26	18	0.20	ESFI-518/A-26
25	Yellow	7.3	12.0	30	16	0.20	ESFI-525/A-30
		7.3	12.0	32	18	0.20	ESFI-525/A-32
		7.3	12.0	36	22	0.20	ESFI-525/A-36
70	Yellow	13.5	17.2	37	21	0.40	ESFI-528/A-37
150	Yellow	19.5	25.0	58	32	0.50	ESFI-530/A-58
0.75	Orange	1.2	3.2	12.4	6	0.15	ESFI-509/B-12
		1.2	3.2	14.6	8	0.15	ESFI-508/B-14
4	Orange	2.8	5.4	17	8	0.20	ESFI-516/C-17
		2.8	5.4	20	12	0.20	ESFI-516/C-20
		2.8	5.4	26	18	0.20	ESFI-516/C-26
10	Green	4.5	8.0	21.5	12	0.20	ESFI-521/B-21
		4.5	8.0	27.5	18	0.20	ESFI-521/B-27
6	Green	3.5	6.9	20	12	0.20	ESFI-518/C-20
		3.5	6.9	26	18	0.20	ESFI-518/C-26
10	Brown	4.5	8.4	22	12	0.20	ESFI-521/C-22
		4.5	8.4	28	18	0.20	ESFI-521/C-28
16	Brown	5.8	9.6	22	12	0.20	ESFI-521/C-22
		5.8	9.6	28	18	0.20	ESFI-521/C-28
16	Ivory	5.8	9.6	24	12	0.20	ESFI-524/C-24
		5.8	9.6	28	18	0.20	ESFI-524/C-28
35	Red	8.3	13.5	30	16	0.20	ESFI-526/C-30
		8.3	13.5	32	18	0.20	ESFI-526/C-32
		8.3	13.5	39	25	0.20	ESFI-526/C-39

