



ELECTRO CRIMP CONTACTS (I) PVT. LTD.

www.eccipl.com 

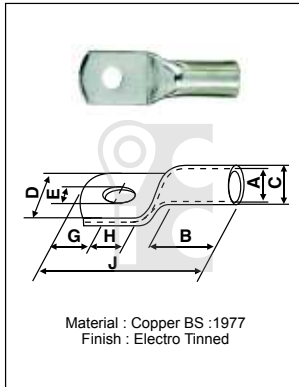
**Copper
Lugs**





COPPER TUBULAR TERMINAL ENDS LIGHT DUTY

CABLE SIZE mm ²	STUD HOLE E ø mm	DIMENSIONS mm							PRODUCT CODE
		A	C	D	B	H	G	J	
2.5	5.2	2.4	4.0	8	8	5	5	21	ECT - 2.5 / 5
4	6.5	3.1	4.8	11	7	6	6	22	ECT - 4 / 6
6	6.5	3.8	5.5	11	9	6	6	24	ECT - 6 / 6
10	6.5	4.5	6.2	11	9	6	6	24	ECT - 10 / 6
16	6.5	5.4	7.1	11	12	8	6	30	ECT - 16 / 6
25	6.5	7.0	9.0	13	12	12	8	37	ECT - 25 / 6
35	6.5	8.2	10	15	13.5	12	8	37	ECT - 35 / 6
	8.4	8.2	10	15	13.5	12	8	37	ECT - 35 / 8
	10.5	8.2	10	15	13.5	12	8	37	ECT - 35 / 10
	13	8.2	10	18	13.5	12	10	41	ECT - 35 / 12
	17	8.2	10	22	13.5	16	14	50	ECT - 35 / 16
50	6.5	9.5	11.2	16	16	12	9	45	ECT - 50 / 6
	8.4	9.5	11.2	16	17	12	9	45	ECT - 50 / 8
	10.5	9.5	11.2	16	17	12	9	45	ECT - 50 / 10
	13	9.5	11.2	20	17	12	10	45	ECT - 50 / 12
	14.5	9.5	11.2	22	18	15	15	54	ECT - 50 / 14
	17	9.5	11.2	22	18	15	15	54	ECT - 50 / 16
70	8.4	11.5	13.8	20	18.0	15	13	56	ECT - 70 / 8
	10.5	11.5	13.8	20	18.0	15	13	56	ECT - 70 / 10
	13	11.5	13.8	20	18.0	15	13	56	ECT - 70 / 12
	14.5	11.5	13.8	20	18.0	15	14	55	ECT - 70 / 14
	17	11.5	13.8	20	18.0	16	14	56	ECT - 70 / 16
95	8.4	13.0	15.6	23	21	15	13	58	ECT - 95 / 8
	10.5	13.0	15.6	23	21	15	13	58	ECT - 95 / 10
	13	13.0	15.6	23	21	15	13	58	ECT - 95 / 12
	14.5	13.0	15.6	23	22	15	14	58	ECT - 95 / 14
	17	13.0	15.6	23	22	16	14	58	ECT - 95 / 16
120	21	13.0	15.6	23	22	16	15	63	ECT - 95 / 20
	8.4	15.0	17.8	26	22	14	13	60	ECT - 120 / 8
	10.5	15.0	17.8	26	22	14	13	60	ECT - 120 / 10
	13	15.0	17.8	26	22	14	13	60	ECT - 120 / 12
	14.5	15.0	17.8	26	22	14	13	60	ECT - 120 / 14
	17	15.0	17.8	26	22	16	16	64	ECT - 120 / 16
150	21	15.0	17.8	26	22	20	16	68	ECT - 120 / 20
	8.4	16.5	19.6	28	26	18	15	70	ECT - 150 / 8
	10.5	16.5	19.6	28	26	18	15	70	ECT - 150 / 10
	13	16.5	19.6	28	26	18	15	70	ECT - 150 / 12
	14.7	16.5	19.6	28	26	16	16	70	ECT - 150 / 14
	17	16.5	19.6	28	26	16	16	70	ECT - 150 / 16
185	21	16.5	19.6	28	26	16	16	73	ECT - 150 / 20
	10.5	18.5	22	32	28	21	21	83	ECT - 185 / 10
	13	18.5	22	32	28	21	21	83	ECT - 185 / 12
	14.7	18.5	22	32	28	21	21	83	ECT - 185 / 14
	17	18.5	22	32	32	21	21	83	ECT - 185 / 16
	21	18.5	22	32	32	21	21	83	ECT - 185 / 20

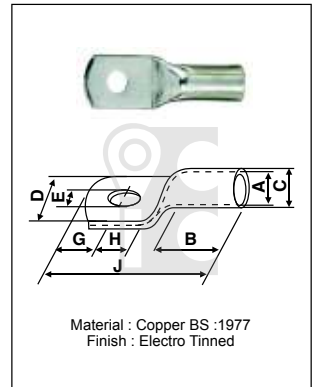


ECT Continued...



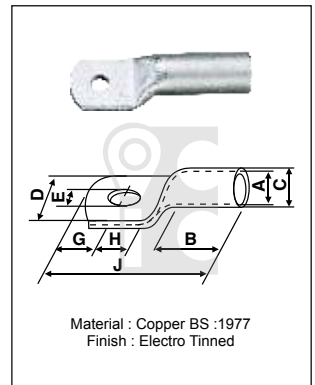
COPPER TUBULAR TERMINAL ENDS LIGHT DUTY

CABLE SIZE mm ²	STUD HOLE E ø mm	DIMENSIONS mm							PRODUCT CODE
		A	C	D	B	H	G	J	
240	10.5	22	26	38	34	24	24	97	ECT - 240 / 10
	13	22	26	38	34	24	24	97	ECT - 240 / 12
	14.7	22	26	38	34	24	24	97	ECT - 240 / 14
	17	22	26	38	34	24	24	97	ECT - 240 / 16
	21	22	26	38	34	24	24	97	ECT - 240 / 20
300	10.5	24.5	28.7	42	42	25	26	103	ECT - 300 / 10
	13	24.5	28.7	42	42	25	26	103	ECT - 300 / 12
	14.7	24.5	28.7	42	42	25	26	103	ECT - 300 / 14
	17	24.5	28.7	42	42	25	26	103	ECT - 300 / 16
	21	24.5	28.7	42	42	25	26	103	ECT - 300 / 20
	BL	24.5	28.7	42	42	25	26	103	ECT - 300 / BL
400	13	28	33.2	49	44	25	25	112	ECT - 400 / 12
	14.7	28	33.2	49	44	25	25	112	ECT - 400 / 14
	17	28	33.2	49	44	25	25	112	ECT - 400 / 16
	21	28	33.2	49	44	25	25	112	ECT - 400 / 20
	BL	28	33.2	49	44	25	25	112	ECT - 400 / BL
500	14.7	30	36	53	50	27	27	121	ECT - 500 / 14
	17	30	36	53	50	27	27	121	ECT - 500 / 16
	21	30	36	53	50	27	27	121	ECT - 500 / 20
	BL	30	36	53	50	27	27	121	ECT - 500 / BL
630	14.7	35	41.5	61	70	25	25	144	ECT - 630 / 14
	17	35	41.5	61	70	25	25	144	ECT - 630 / 16
	21	35	41.5	61	70	25	25	144	ECT - 630 / 20
	BL	35	41.5	61	70	25	25	144	ECT - 630 / BL
800	BL	39	46.3	67	78			170	ECT - 800 / BL



COPPER TUBULAR TERMINAL ENDS LONG BARREL HEAVY DUTY

CABLE SIZE mm ²	STUD HOLE E ø mm	DIMENSIONS mm							PRODUCT CODE
		A	C	D	B	H	G	J	
6	8.4	3.8	5.5	12	6	9	11	29	ECTLB - 6/8
10	8.4	4.5	6.2	12	6	9	11	29	ECTLB - 10/8
16	8.4	5.4	7.1	12	7	7	15	35	ECTLB - 16/8
25	8.4	6.8	8.8	16	7	7	15	35	ECTLB - 25/8
35	8.4	8.2	10.6	15.3	9	9	15	38	ECTLB - 35/8
50	13	9.5	12.4	18	10	11	20	47	ECTLB - 50/12
70	13	11.2	14.7	21	12	13	22	54	ECTLB - 70/12
95	13	13.5	17.4	25	13	13	24	59	ECTLB - 95/12
120	13	15	19.4	28	14	14	27	65	ECTLB - 120/12
150	13	16.5	21.2	30	16	16	32	75	ECTLB - 150/12
185	13	18.5	23.5	34	17	17	39	85	ECTLB - 185/12
240	17	21	26.5	38	20	20	46	100	ECTLB - 240/16
300	21	23.5	30	43	22	22	51	110	ECTLB - 300/20
400	21	28.5	36.5	50.1	26	26	53	123	ECTLB - 400/20
500	21	30	39	56	28	28	58	134	ECTLB - 500/20
630	21	35	45	63.8	33	33	78	156	ECTLB - 630/26
800	21	39	50.6	72	37.5	37.5	95	187	ECTLB - 800/20

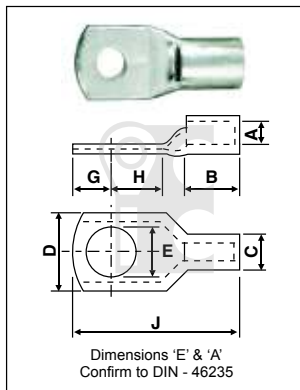




HIGH CONDUCTIVITY COPPER TUBULAR TERMINAL ENDS

WITH INSPECTION WINDOW for solderless crimping to copper or Aluminium XLPE cables

CABLE SIZE mm ²	STUD HOLE E ø mm	DIMENSIONS mm							PRODUCT CODE
		A	C	D	B	H	G	J	
1.5	4.2	1.8	3.7	8	6	5	4	17	EHCT - 1.5 / 4
	5.2	1.8	3.7	8	6	5	4	17	EHCT - 1.5 / 5
	6.5	1.8	3.7	10	6	6	4	18	EHCT - 1.5 / 6
2.5	4.2	2.4	4.0	8	8	5	4	19	EHCT - 2.5 / 4
	5.2	2.4	4.0	8	8	5	4	19	EHCT - 2.5 / 5
	6.5	2.4	4.0	10	8	6	5	21	EHCT - 2.5 / 6
	8.4	2.4	4.0	12	8	9	6	26	EHCT - 2.5 / 8
4	4.2	3.1	4.8	10	8	6	5	21	EHCT - 4 / 4
	5.2	3.1	4.8	10	8	6	5	21	EHCT - 4 / 5
	6.5	3.1	4.8	10	8	6	5	21	EHCT - 4 / 6
	8.4	3.1	4.8	12	8	9	6	24	EHCT - 4 / 8
6	5.2	3.8	5.5	10	10	6	5	23	EHCT - 6 / 5
	6.5	3.8	5.5	10	10	6	5	23	EHCT - 6 / 6
	8.4	3.8	5.5	12	10	9	6	27	EHCT - 6 / 8
10	10.5	3.8	5.5	15	10	11	8	32	EHCT - 6 / 10
	6.5	4.5	6.2	11	10	7	6	26	EHCT - 10 / 6
	8.4	4.5	6.2	12	10	9	6	28	EHCT - 10 / 8
16	10.5	4.5	6.2	15	11	11	8	30	EHCT - 10 / 10
	6.5	5.4	7.1	12	12	7	7	30	EHCT - 16 / 6
	8.4	5.4	7.1	12	12	7	7	30	EHCT - 16 / 8
25	10.5	5.4	7.6	15	12	12	8	36	EHCT - 16 / 10
	12.5	5.4	7.6	15	12	13	11	39	EHCT - 16 / 12
	6.5	6.8	8.8	13	12	7	7	30	EHCT - 25 / 6
	8.4	6.8	8.8	13	12	7	7	30	EHCT - 25 / 8
35	10.5	6.8	8.8	15	13	11	10	36	EHCT - 25 / 10
	13	6.8	8.8	17	15	12	10	40	EHCT - 25 / 12
	6.5	8.2	10.6	16	13.5	9	9	36	EHCT - 35 / 6
	8.4	8.2	10.6	16	13.5	9	9	36	EHCT - 35 / 8
	10.5	8.2	10.6	16	13.5	9	9	37	EHCT - 35 / 10
50	13	8.2	10.6	18	13.5	12	10	41	EHCT - 35 / 12
	17	8.2	10.6	22	13.5	18	14	50	EHCT - 35 / 16
	8.4	9.5	12.4	18	17	10	9	42	EHCT - 50 / 8
	10.5	9.5	12.4	18	17	10	9	42	EHCT - 50 / 10
	13	9.5	12.4	20	17	12	10	45	EHCT - 50 / 12
70	17	9.5	12.4	22	18	15	15	52	EHCT - 50 / 16
	8.4	11.3	14.6	21	18.5	11	11	47	EHCT - 70 / 8
	10.5	11.3	14.6	21	18.5	11	11	47	EHCT - 70 / 10
	13.0	11.3	14.6	21	18.5	11	11	47	EHCT - 70 / 12
	14.5	11.3	14.6	22	18.5	15	14	55	EHCT - 70 / 14
95	17.0	11.3	14.6	26	18.5	16	14	56	EHCT - 70 / 16
	8.4	13.5	17.4	25	21	13	12	53	EHCT - 95 / 8
	10.5	13.5	17.4	25	21	13	12	53	EHCT - 95 / 10
	13.0	13.5	17.4	25	21	13	12	53	EHCT - 95 / 12
	14.5	13.5	17.4	25	22	15	14	55	EHCT - 95 / 14
	17	13.5	17.4	25	22	16	14	56	EHCT - 95 / 16



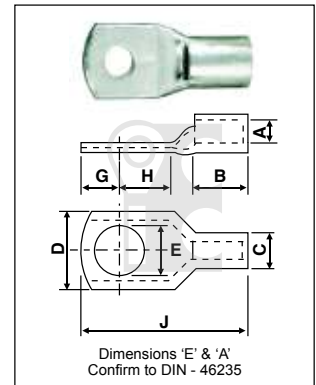
EHCT Continued....



HIGH CONDUCTIVITY COPPER TUBULAR TERMINAL ENDS

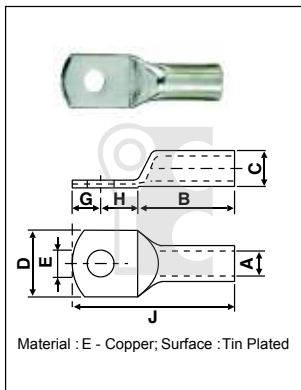
WITH INSPECTION WINDOW for solderless crimping to copper or Aluminium XLPE cables

CABLE SIZE mm ²	STUD HOLE E ø mm	DIMENSIONS mm							PRODUCT CODE
		A	C	D	B	H	G	J	
120	10.5	15	19.4	28	23	14	13	60	EHCT-120/10
	13.0	15	19.4	28	23	14	13	60	EHCT-120/12
	14.5	15	19.4	28	23	14	13	60	EHCT-120/14
	17.0	15	19.4	28	23	16	16	64	EHCT-120/16
150	10.5	16.5	21.2	30	27	16	16	70	EHCT-150/10
	13.0	16.5	21.2	30	27	16	16	70	EHCT-150/12
	14.5	16.5	21.2	30	27	16	16	70	EHCT-150/14
	17.0	16.5	21.2	30	27	16	16	70	EHCT-150/16
	21	16.5	21.2	30	27	16	19	73	EHCT-150/20
185	10.5	18.5	23.5	34	32	19	17	80	EHCT-185/10
	13.0	18.5	23.5	34	32	19	17	80	EHCT-185/12
	14.5	18.5	23.5	34	32	19	17	80	EHCT-185/14
	17.0	18.5	23.5	34	32	19	17	80	EHCT-185/16
	21.0	18.5	23.5	34	32	19	17	80	EHCT-185/20
240	10	21.0	26.5	38	37	20	20	94	EHCT-240/10
	13	21.0	26.5	38	37	20	20	94	EHCT-240/12
	14.5	21.0	26.5	38	37	20	20	94	EHCT-240/14
	17.0	21.0	26.5	38	37	20	20	94	EHCT-240/16
	21.0	21.0	26.5	38	37	20	20	94	EHCT-240/20
	BL	21.0	26.5	38	37	---	---	94	EHCT-240/BL
300	10.5	23.5	30.0	43	42	22	22	101	EHCT-300/10
	13	23.5	30.0	43	42	22	22	101	EHCT-300/12
	14.5	23.5	30.0	43	42	22	22	101	EHCT-300/14
	17.0	23.5	30.0	43	42	22	22	101	EHCT-300/16
	21.0	23.5	30.0	43	42	22	22	101	EHCT-300/20
400	10.5	28.5	36.5	52.5	44	26	26	114	EHCT-400/10
	13.0	28.5	36.5	52.5	44	26	26	114	EHCT-400/12
	14.5	28.5	36.5	52.5	44	26	26	114	EHCT-400/14
	17.0	28.5	36.5	52.5	44	26	26	114	EHCT-400/16
	21.0	28.5	36.5	52.5	44	26	26	114	EHCT-400/20
500	17.0	30.0	39.0	56	48	28	28	129	EHCT-500/16
	21.0	30.0	39.0	56	48	28	28	129	EHCT-500/20
	BL	30.0	39.0	56	48	-	-	129	EHCT-500/BL
630	17.0	35.0	45.0	63.8	58	33	33	148	EHCT-630/16
	21.0	35.0	45.0	63.8	58	33	33	148	EHCT-630/20
	BL	35.0	45.0	63.8	58	-	-	148	EHCT-630/BL
800	BL	39.0	50.6	72	78	-	-	170	EHCT-800/BL
1000	BL	43.0	56.2	78.5	90	-	-	200	EHCT-1000/BL





COPPER TUBULAR COMPRESSION TYPE CABLE LUGS (DIN 46235)



CABLE SIZE mm ²	STUD HOLE E ∅ mm									PRODUCT CODE
		A	B	D	E	C	G	H	J	
6	M 5	3.8	10	8.5	5.4	5.5	6.5	7.5	30.5	EDT-6/5
	M 6	3.8	10	8.5	6.4	5.5	7.5	8	31.5	EDT-6/6
	M 8**	3.8	10	13	8.4	5.5	10	10	34	EDT-6/8
10	M 5	4.5	10	9	5.4	6.2	7	8.5	34	EDT-10/5
	M 6	4.5	10	9	6.4	6.2	7.5	8.5	34.5	EDT-10/6
	M 8**	4.5	10	13	8.4	6.2	10	10	37	EDT-10/8
16	M 6	5.5	20	13	6.4	8.5	7.5	8	43.5	EDT-16/6
	M 8	5.5	20	13	8.4	8.5	10	10	46	EDT-16/8
	M 10	5.5	20	17	10.5	8.5	12	12	48	EDT-16/10
	M 12**	5.5	20	18	13	8.5	13	13	49	EDT-16/12
25	M 6	7	20	14	6.4	10	7.5	8	45.5	EDT-25/6
	M 8	7	20	16	8.4	10	10	10	48	EDT-25/8
	M 10	7	20	17	10.5	10	12	12	50	EDT-25/10
	M 12	7	20	19	13	10	13	13	51	EDT-25/12
35	M 6**	8.2	20	17	6.4	12.5	7.5	8	49.5	EDT-35/6
	M 8	8.2	20	17	8.4	12.5	10	10	52	EDT-35/8
	M 10	8.2	20	19	10.5	12.5	12	12	54	EDT-35/10
	M 12	8.2	20	21	13	12.5	13	13	55	EDT-35/12
	M 14**	8.2	20	21	15	12.5	14.5	14.5	56.5	EDT-35/14
50	M 8	10	28	20	8.4	14.5	10	10	62	EDT-50/8
	M 10	10	28	22	10.5	14.5	12	12	64	EDT-50/10
	M 12	10	28	24	13	14.5	13	13	65	EDT-50/12
	M 14**	10	28	24	15	14.5	14.5	14.5	66.5	EDT-50/14
	M 16	10	28	28	17	14.5	16	16	68	EDT-50/16
70	M 8	11.5	28	24	8.4	16.5	10	10	65	EDT-70/8
	M 10	11.5	28	24	10.5	16.5	12	12	67	EDT-70/10
	M 12	11.5	28	24	13	16.5	13	13	68	EDT-70/12
	M 14**	11.5	28	24	15	16.5	14.5	14.5	69.5	EDT-70/14
	M 16	11.5	28	30	17	16.5	16	16	71	EDT-70/16
95	M 8**	13.5	35	28	8.4	19	12	12	77	EDT-95/8
	M 10	13.5	35	28	10.5	19	12	12	77	EDT-95/10
	M 12	13.5	35	28	13	19	13	13	78	EDT-95/12
	M 14**	13.5	35	28	15	19	14.5	14.5	79.5	EDT-95/14
	M 16	13.5	35	32	17	19	16	16	81	EDT-95/16
120	M 10	15.5	35	30	10.5	21	15	16	85	EDT-120/10
	M 12	15.5	35	30	13	21	16	17	86	EDT-120 /12
	M 14**	15.5	35	30	15	21	18	19	88	EDT-120 /14
	M 16	15.5	35	30	17	21	19	20	89	EDT-120/16
	M 20	15.5	35	32	21	21	21	22	91	EDT-120/20
150	M 10	17	35	34	10.5	23.5	15	16	93	EDT-150/10
	M 12	17	35	34	13	23.5	16	17	94	EDT-150/12
	M 14**	17	35	34	15	23.5	19	20	97	EDT-150/14
	M 16	17	35	34	17	23.5	19	20	97	EDT-150/16
	M 20	17	35	34	21	23.5	21	22	99	EDT-150/20
185	M 10	19	40	36	10.5	25.5	15	16	97	EDT-185/10
	M 12	19	40	36	13	25.5	16	17	98	EDT-185/12
	M 14**	19	40	36	15	25.5	19	20	101	EDT-185/14
	M 16	19	40	36	17	25.5	19	20	101	EDT-185/16
	M 20	19	40	36	21	25.5	21	22	103	EDT-185/20

NOTE : ** Not standardized

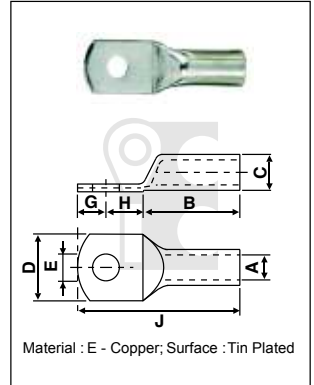
EDT Continued....



COPPER TUBULAR COMPRESSION TYPE CABLE LUGS (DIN 46235)

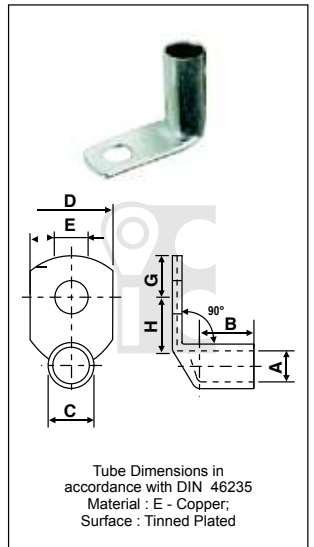
CABLE SIZE mm ²	STUD HOLE E ∅ mm	DIMENSIONS mm								PRODUCT CODE
		A	B	D	E	C	G	H	J	
240	M 12	21.5	40	42	13	29	16	17	108	EDT - 240 / 12
	M 14**	21.5	40	42	15	29	19	20	111	EDT - 240 / 14
	M 16	21.5	40	42	17	29	19	20	111	EDT - 240 / 16
	M 20	21.5	40	45	21	29	21	22	113	EDT - 240 / 20
300	M 14**	24.5	50	46	15	32	19	22	119	EDT - 300 / 14
	M 16	24.5	50	46	17	32	19	22	119	EDT - 300 / 16
	M 20	24.5	50	46	21	32	22	22	122	EDT - 300 / 20
400	M 14**	27.5	70	54	15	38.5	25	25	140	EDT - 400 / 14
	M 16	27.5	70	54	17	38.5	25	25	140	EDT - 400 / 16
	M 20	27.5	70	54	21	38.5	25	25	140	EDT - 400 / 20
500	M 16**	31	70	60	17	42	25	25	150	EDT - 500 / 16
	M 20	31	70	60	21	42	25	25	150	EDT - 500 / 20
625	M 16**	34.5	80	64	17	44	25	25	160	EDT - 625 / 16
	M 20	34.5	80	64	21	44	25	25	160	EDT - 625 / 20
800	M 16**	40	100	75	17	52	30	30	195	EDT - 800 / 16
	M 20	40	100	75	21	52	30	30	195	EDT - 800 / 20
1000	M 16**	44	100	83	17	58	30	30	195	EDT - 1000 / 16
	M 20	44	100	83	21	58	30	30	195	EDT - 1000 / 20

NOTE : ** Not standardized



COPPER TUBULAR 90°ANGLE CABLE LUGS (DIN 46235)

CABLE SIZE mm ²	STUD HOLE E ∅ mm	DIMENSIONS mm							PRODUCT CODE
		A	B	D	E	C	G	H	
6	M 5	3.8	10	8.5	5.4	5.5	6.5	9	EDAT - 90-6/5
	M 6	3.8	10	8.5	6.4	5.5	7.5	10	EDAT - 90-6/6
10	M 5	4.5	10	9	5.4	6.20	7	10	EDAT - 90-10/5
	M 6	4.5	10	9	6.4	6.20	7.5	10	EDAT - 90-10/6
	M 8	4.5	10	13	8.4	6.20	10	13	EDAT - 90-10/8
16	M 6	5.5	20	13	6.4	8.5	7.5	11	EDAT - 90-16/6
	M 8	5.5	20	13	8.4	8.5	10	13	EDAT - 90-16/8
	M 10	5.5	20	17	10.5	8.5	12	15	EDAT - 90-16/10
	M 12	5.5	20	18	13	8.5	13	18	EDAT - 90-16/12
25	M 6	7	20	14	6.4	10	7.5	11	EDAT - 90-25/6
	M 8	7	20	16	8.4	10	10	13	EDAT - 90-25/8
	M 10	7	20	17	10.5	10	12	15	EDAT - 90-25/10
	M 12	7	20	19	13	10	13	18	EDAT - 90-25/12
35	M 8	8.2	20	17	8.4	12.5	10	13	EDAT - 90-35/8
	M 10	8.2	20	19	10.5	12.5	12	15	EDAT - 90-35/10
	M 12	8.2	20	21	13	12.5	13	18	EDAT - 90-35/12
	M 14	8.2	20	21	15	12.5	14.5	20	EDAT - 90-35/14
50	M 8	10	28	20	8.4	14.5	10	16	EDAT - 90-50/8
	M 10	10	28	22	10.5	14.5	12	16	EDAT - 90-50/10
	M 12	10	28	24	13	14.5	13	18	EDAT - 90-50/12
	M 14	10	28	24	15	14.5	14.5	20	EDAT - 90-50/14
	M 16	10	28	28	17	14.5	16	22	EDAT - 90-50/16
70	M 8	11.5	28	24	8.4	16.5	10	14	EDAT - 90-70/8
	M 10	11.5	28	24	10.5	16.5	12	16	EDAT - 90-70/10
	M 12	11.5	28	24	13	16.5	13	18	EDAT - 90-70/12
	M 14	11.5	28	24	15	16.5	14.5	20	EDAT - 90-70/14
	M 16	11.5	28	30	17	16.5	16	22	EDAT - 90-70/16



EDAT Continued...